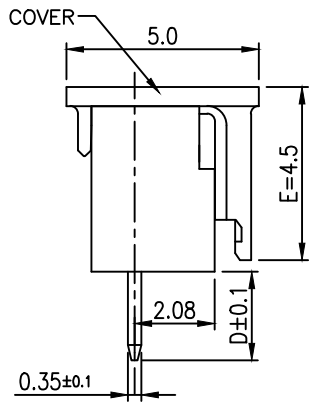
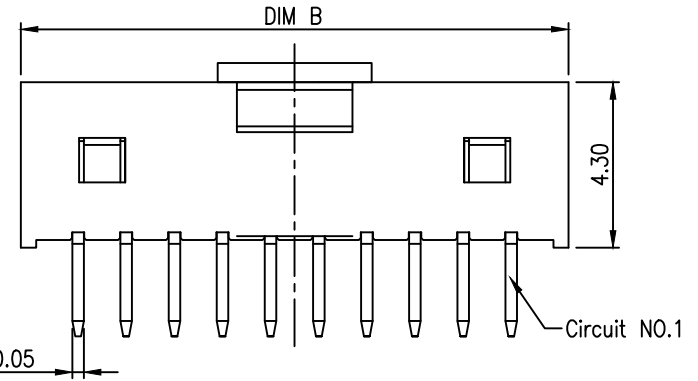


WITHOUT COVER

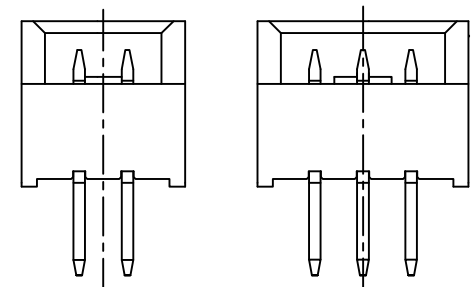
- NOTES:
- MATERIAL:
    - HOUSING: HALOGEN FREE PLASTIC, HIGH TEMP,UL94V-0.
    - CONTACT: COPPER ALLOY
  - FINISH:
    - CONTACT:
      - 50u"~100u" NICKEL UNDERPLATING OVERALL.
      - C: 15u" GOLD ON CONTACT;
    - SOLDER AREA:
      - GOLD FLASH ON SOLDER AREA;
  - LOCKING WINDOW: ONE PLACE FOR 2&3 CKTS. TWO PLACES FOR MORE THAN 4 CKTS.
  - SPEC. PLS. REFER TO PS-50275-xxxx-xxx
  - PACKAGE PLS. REFER TO 88462-xxxx-xx-TRP.
  - MATES WITH :50276 SERIES
  - PART NUMBER

51405-XXX X X-XXX  
 CKTS  
 PACKING  
 O:TAPE & REEL  
 7:TAPE & REEL WITH COVER  
 PLATING  
 C:15u" GOLD ON CONTACT

XXX	Housing Color	Dim D	Dim E
001	Black	1.5	3.25
002	Natural	1.5	3.25



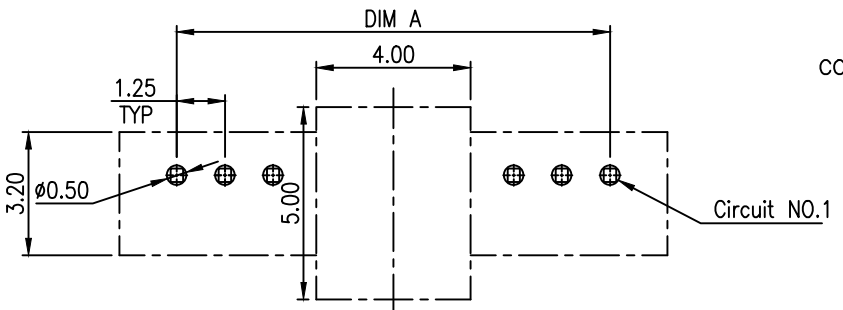
WITH COVER



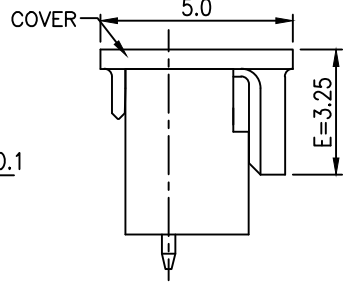
2 PIN 3 PIN

LOCK CONFIGURATION

CKT	DIM A	DIM B	DIM C
2	1.25	4.23	3.05
3	2.50	5.48	4.30
4	3.75	6.73	5.55
5	5.00	7.98	6.80
6	6.25	9.23	8.05
7	7.50	10.48	9.30
8	8.75	11.73	10.55
9	10.00	12.98	11.80
10	11.25	14.23	13.05
11	12.50	15.48	14.30
12	13.75	16.73	15.55
13	15.00	17.98	16.80
14	16.25	19.23	18.05
15	17.50	20.48	19.30



RECOMMENDED PCB LAYOUT  
 GENERAL TOLORANCE ±0.05



WITH COVER

QUALITY SYMBOLS MAJOR CRITICAL GENERAL TOLERANCES ( UNLESS SPECIFIED ) .X ±0.5 .XX ±0.25 .XX ±0.15 .XXX ±0.1 ANGLES ±2°	DRAWN BY Zhang,hongjun DATE 20/06/08	 <b>ACES ELECTRONICS</b> TITLE 1.25 mm WTB WAFER CONN S/T T/H TYPE.
	CHECKED BY Lu,Jing Quan DATE 20/06/08	
	UNITS mm	SIZE A4
	SCALE 5 : 1	SHEET NO. 1 OF 1
		REV A
		RFQ NO. RFQ-1812058
		PART NO. 51405-XXXXX-XXX
		DWG NO. SEE NOTES